



Features

- Comply with the latest IEC62386-101:2018 Ed2.0, IEC62386-102:2018 Ed2.0 and IEC62386-207:2018 Ed2.0 (DT6) standard protocol
- Compatible with TRIDONIC, OSRAM, PHILIPS International well-known brands such as DALI control system
- The small volume, Low power consumption
- APP control setting

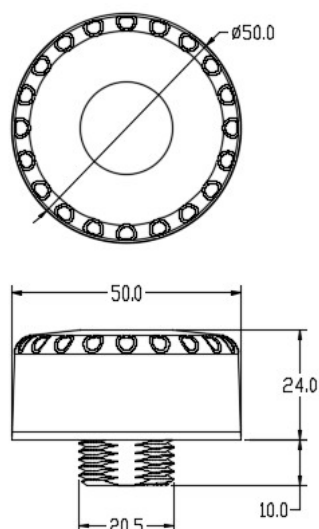
Applications

Applicable to smart lighting fixtures.

Technical data

Operating voltage	11-15VDC
Operating current	>50mA
Output	1-10V
Stand-by power	≤ 1W
DALI voltage	9.5V ~ 22.5V DALI PS BUS
DALI current	1.9mA
Operating temperature	-40~65°C
Operating temperature	-40~85°C
IP rating	IP65

Dimensional drawing



Wiring diagram

