



Features

- TUYA ZS3L Zigbee module
- The small volume, Low power consumption
- APP control setting

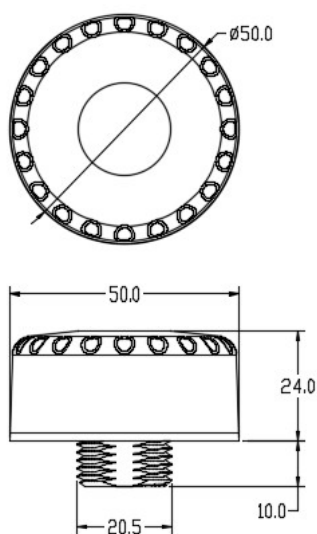
Applications

Applicable to smart lighting fixtures.

Technical data

Operating voltage	11-15VDC
Operating current	90mA Max.
Output	DIM 1-10V
Stand-by power	≤1.5W
Operating temperature	-40~65°C
Operating temperature	-40~85°C
IP rating	IP65

Dimensional drawing



wiring

